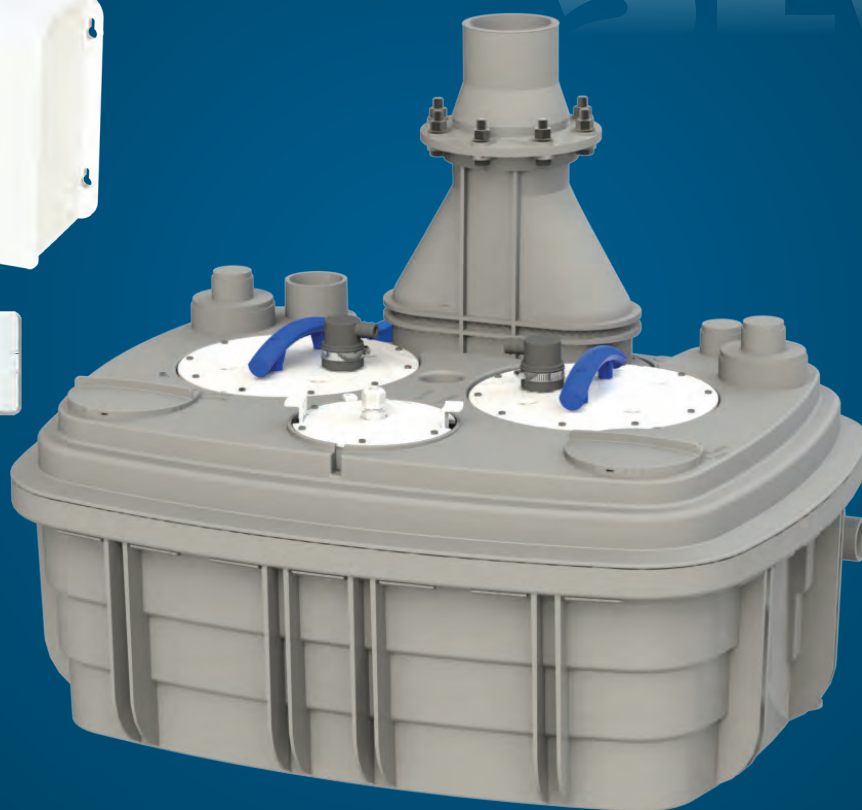


**CUBIC 2 XL**

171

11.14

# SFA



## SANICUBIC® 2 XL

**FR** NOTICE D'INSTALLATION

**UK** INSTALLATION INSTRUCTIONS

**DE** INSTALLATIONSHINWEISE

**IT** STRUZIONI PER L'INSTALLAZIONE

**ES** MANUAL DE INSTALACIÓN

**PT** MANUAL DE INSTALAÇÃO

**NL** INSTALLATIE VOORSCHRIFTEN

**SE** INSTALLATIONSANVISNING

**DK** INSTALLATIONSVEJLEDNING

**NO** INSTALLASJONSANVISING

**FI** ASENNUSOHJEET

**HU** FELSZERELÉSI ÉS KEZELÉSI ÚTMUTATÓ

**PL** INSTRUKCJA INSTALACJI

**RU** ИНСТРУКЦИЯ ПО МОНТАЖУ И ЭКСПЛУАТАЦИИ

**RO** MANUAL DE INSTALARE

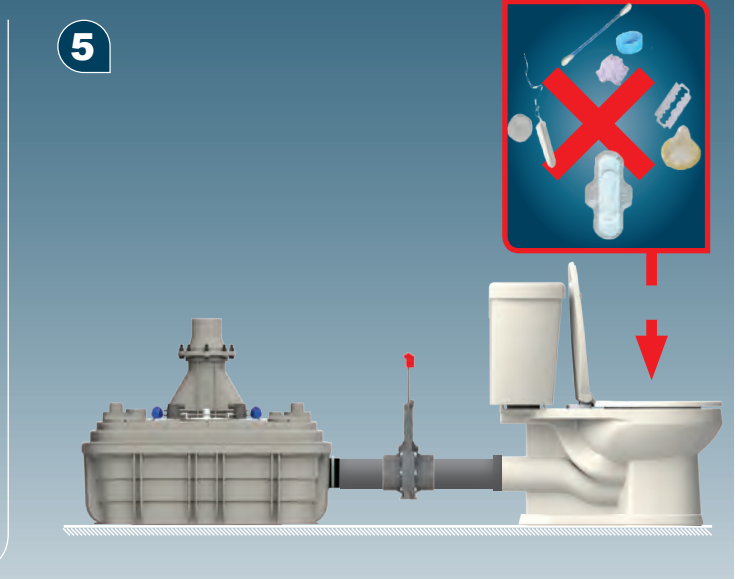
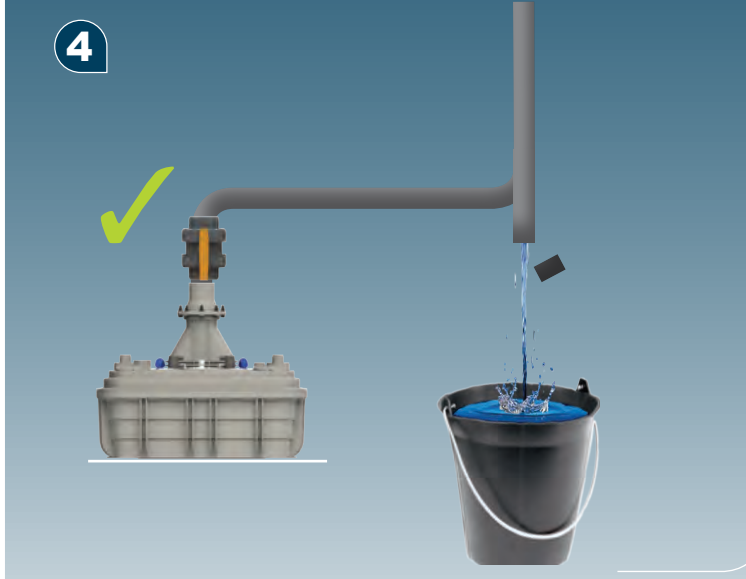
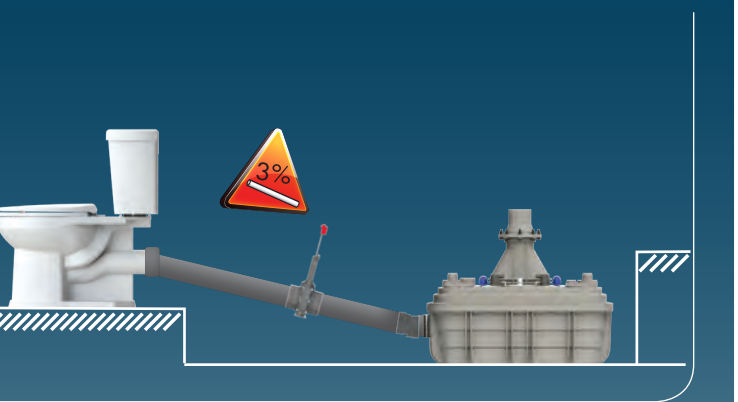
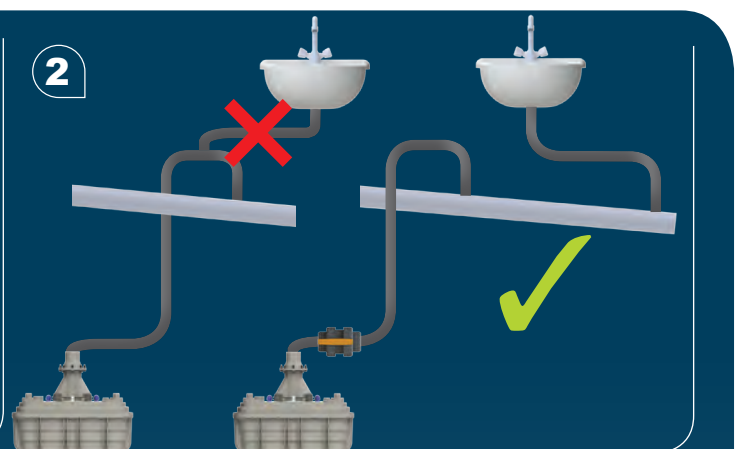
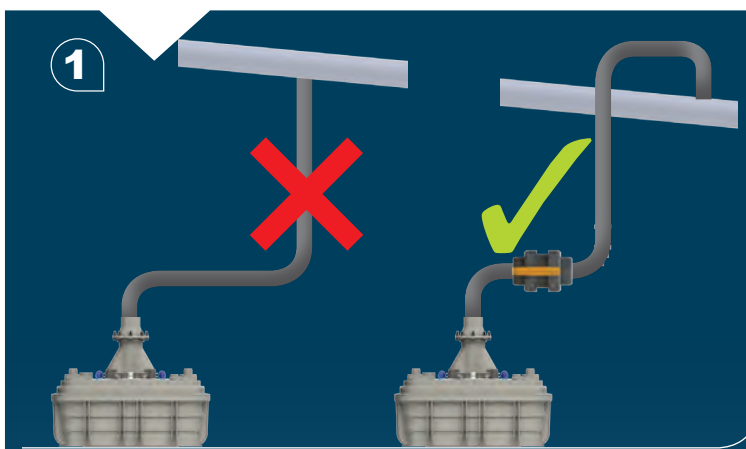
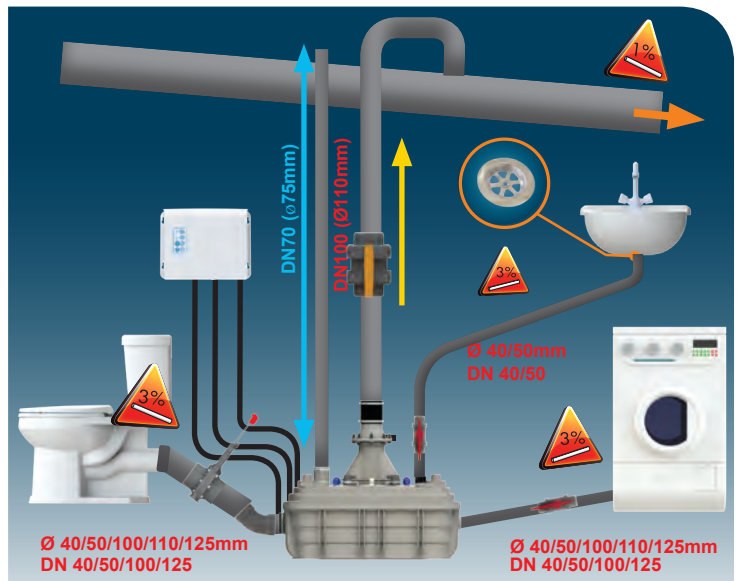
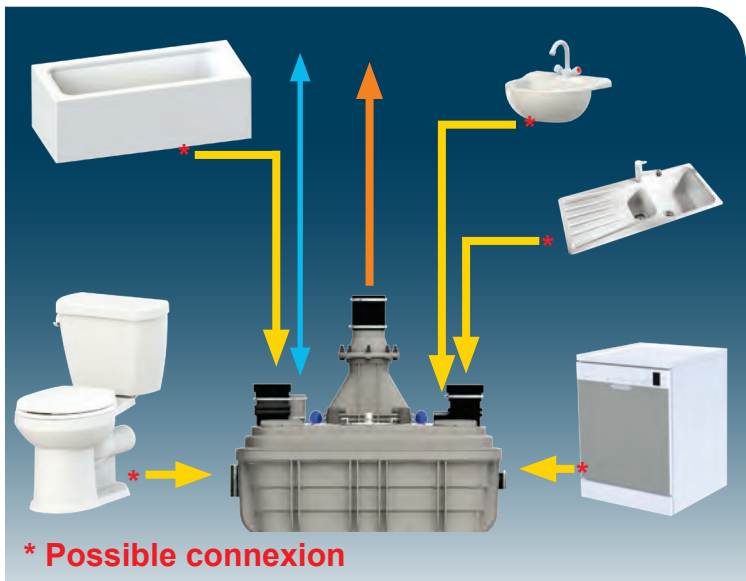
**CZ** NÁVOD K INSTALACI A POUŽÍVÁNÍ

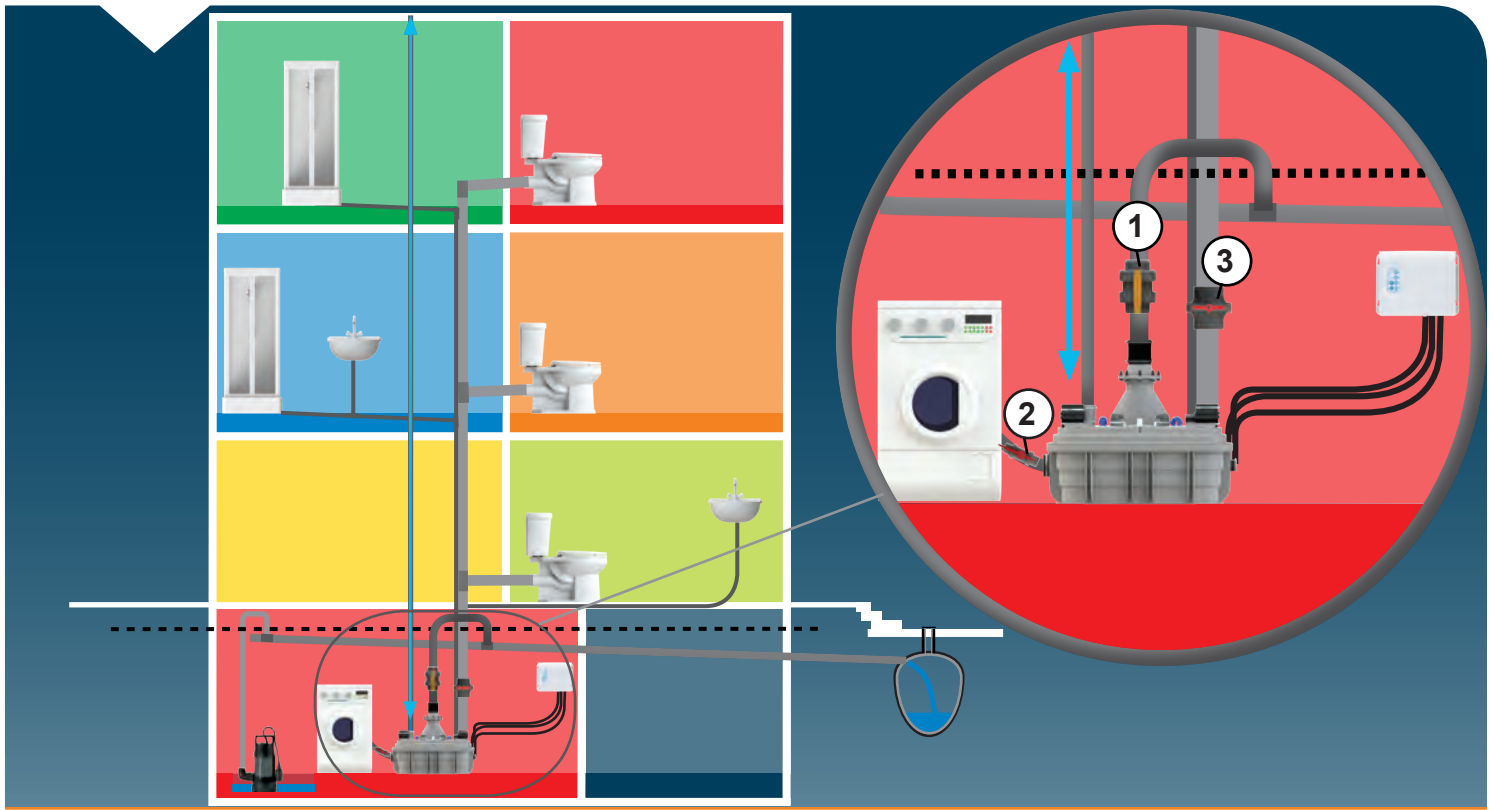
**TR** KURULUM KILAVUZU

**CN** 用户应保留安装指南以备

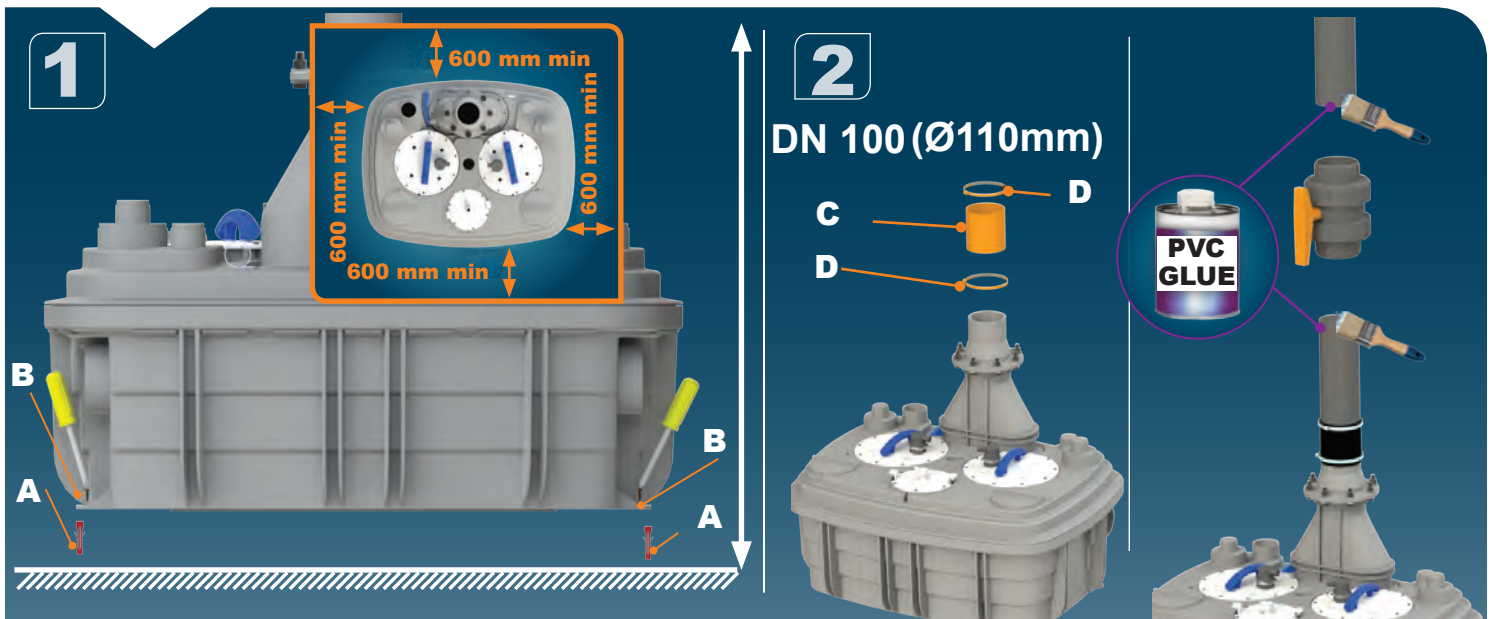
**KR** 설치내용서

**CE**

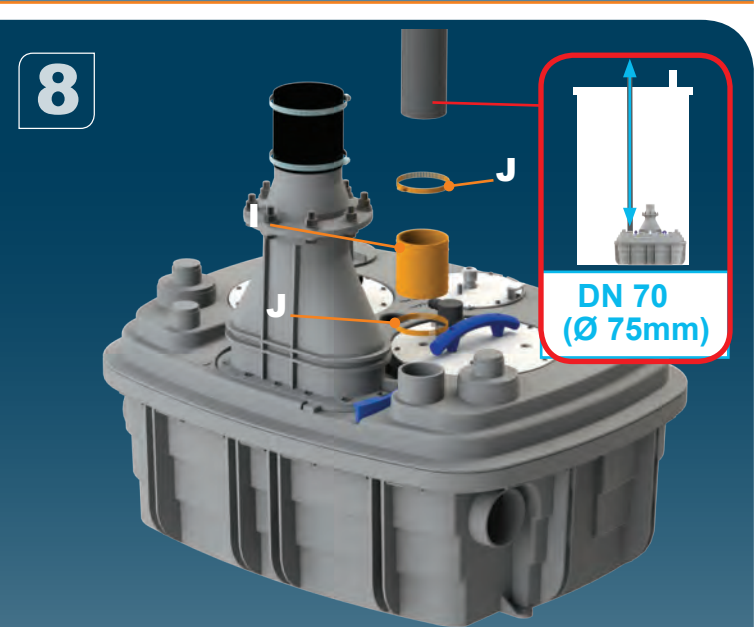
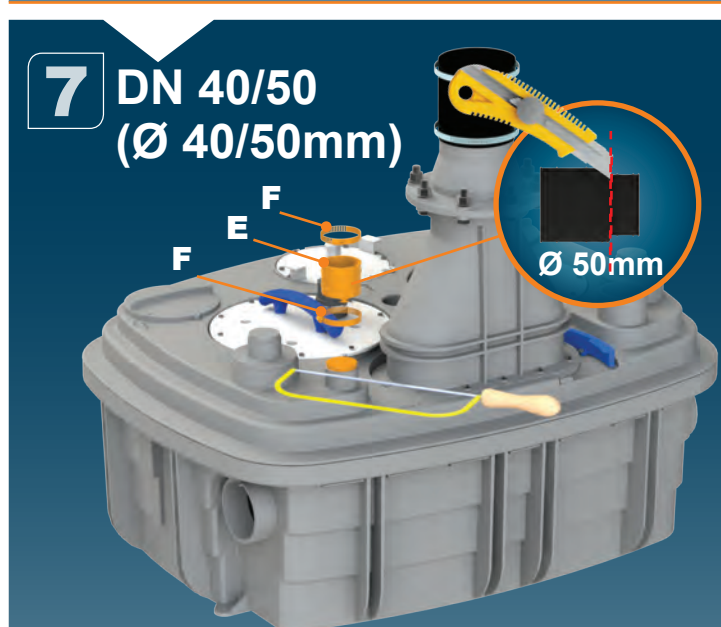
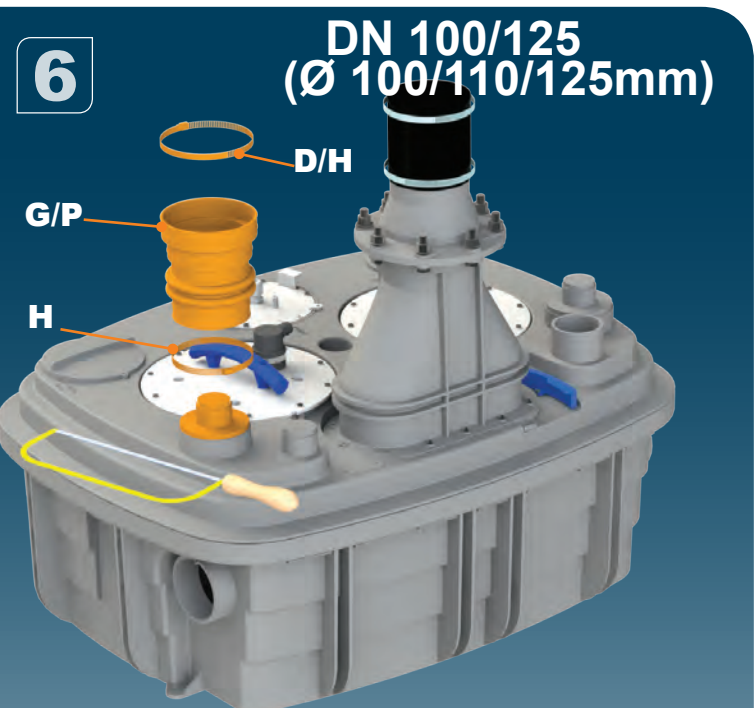
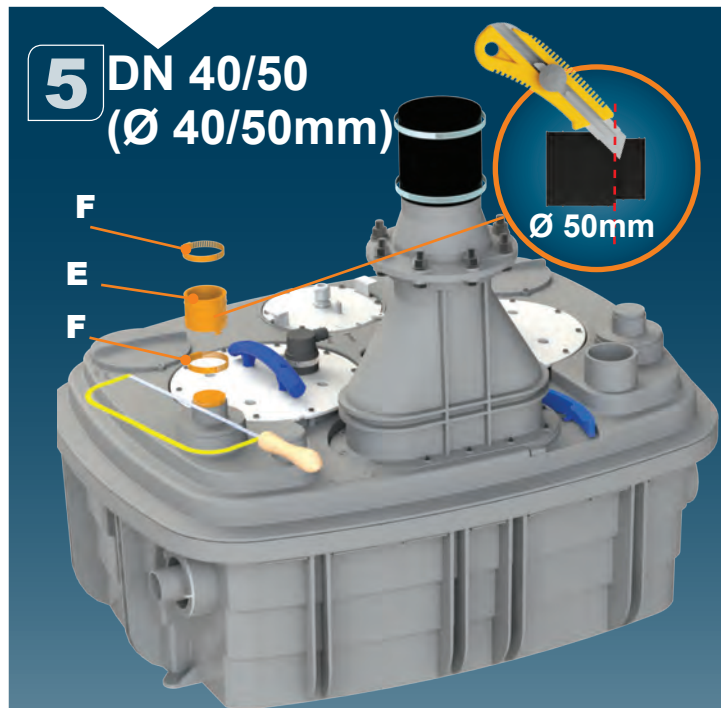
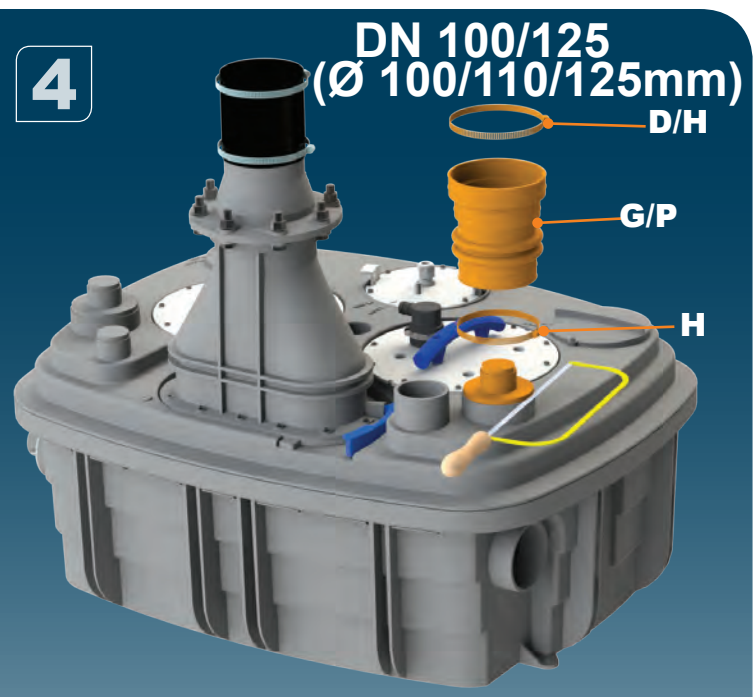
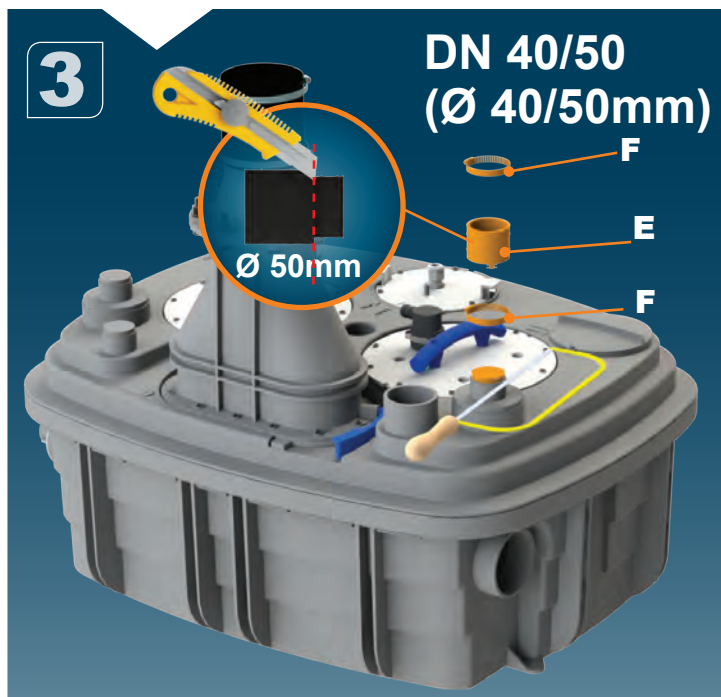




- |  |                           |                                    |                                      |  |                         |
|--|---------------------------|------------------------------------|--------------------------------------|--|-------------------------|
| <b>A</b><br>x2                                   | <b>B</b><br>x2            | <b>C</b><br>x1<br>DN100 (Ø110mm)   | <b>D</b><br>x3<br>116x136            | <b>E</b><br>x4<br>DN 40/50<br>(Ø40/50mm) | <b>F</b><br>x8<br>40x60 |
| <b>G</b><br>x1<br>DN 100/125<br>(Ø100/110/125mm) | <b>H</b><br>x4<br>100/120 | <b>I</b><br>x1<br>DN 70<br>(Ø75mm) | <b>J</b><br>x2<br>60x80              | <b>K</b><br>x2                           | <b>L</b><br>x1          |
| <b>M</b><br>x1<br>8x12                           | <b>N</b><br>x1            | <b>O</b><br>x1                     | <b>P</b><br>x3<br>DN 100<br>Ø100/110 |  |                         |



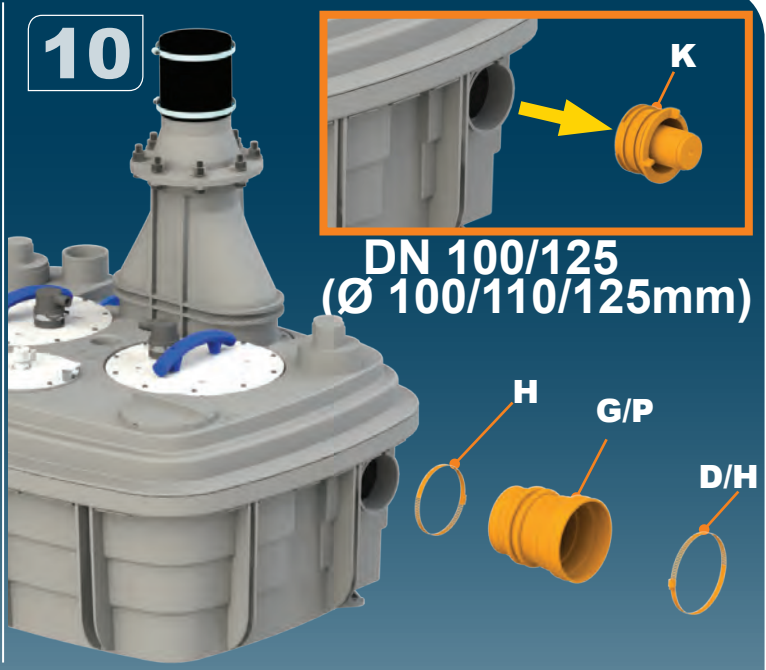




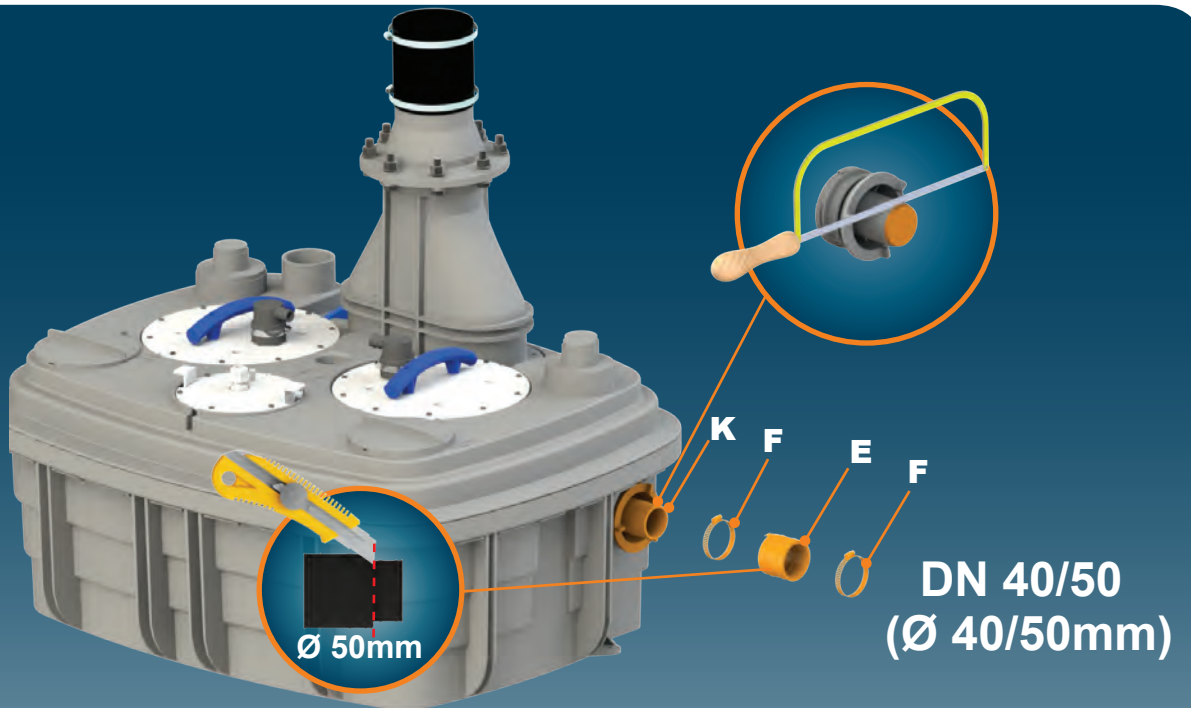
9



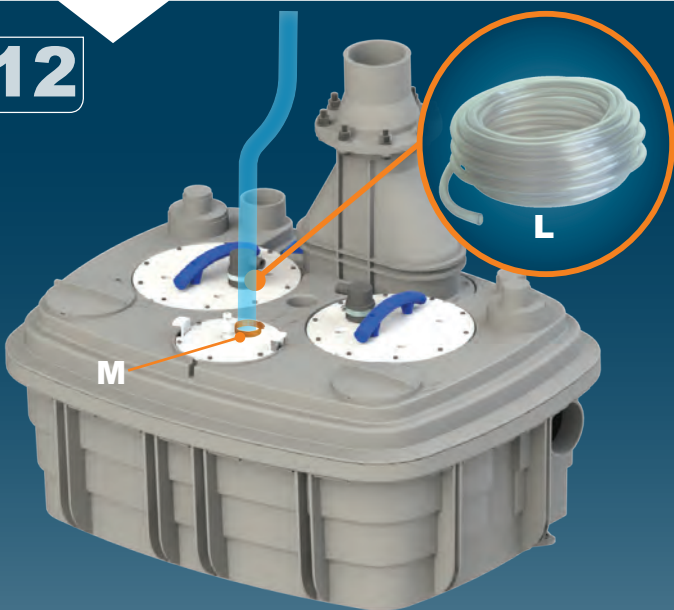
10



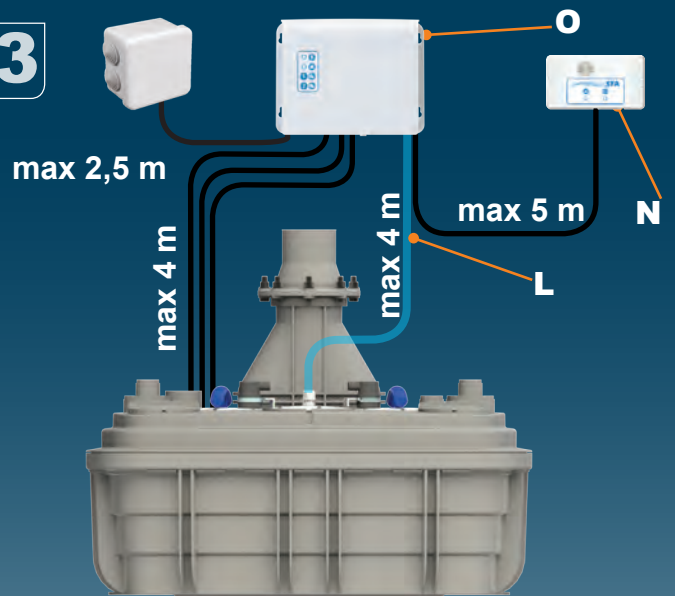
11

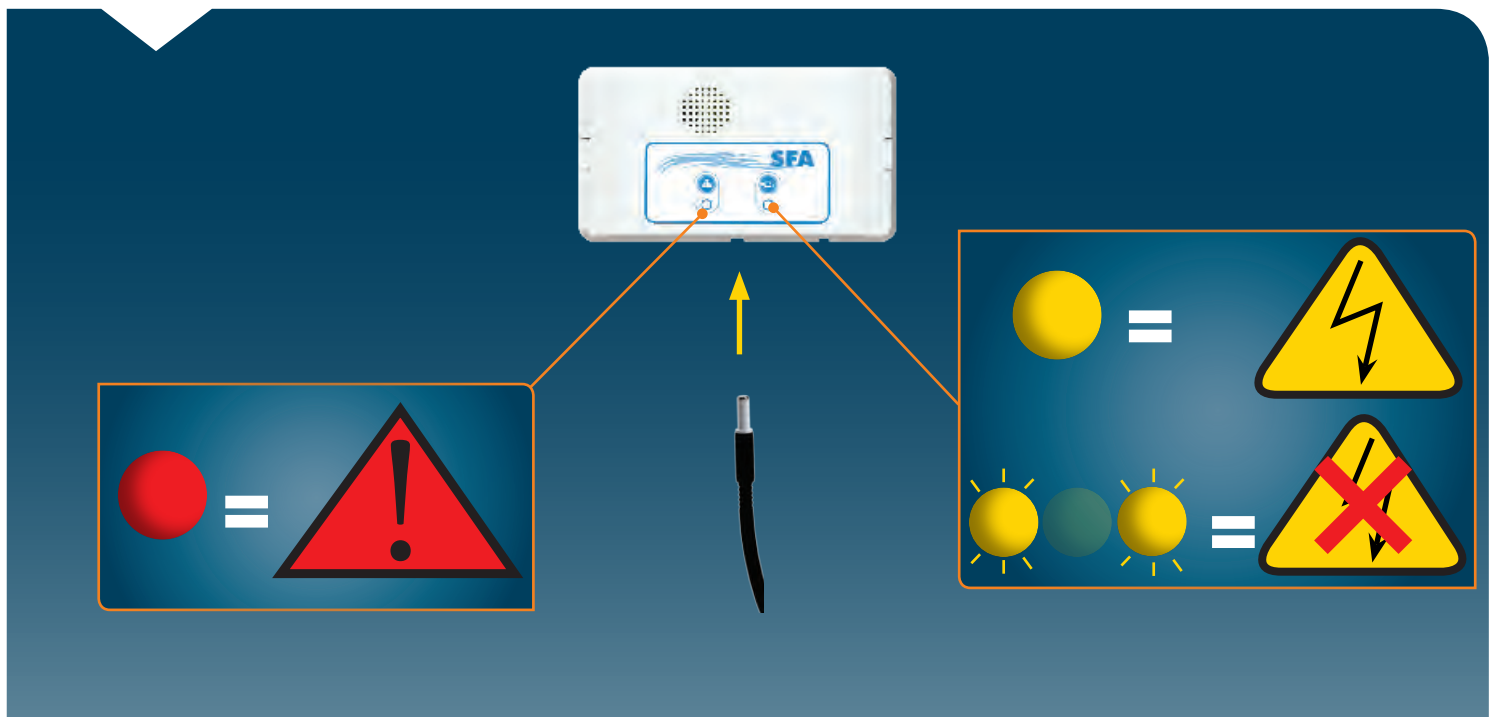
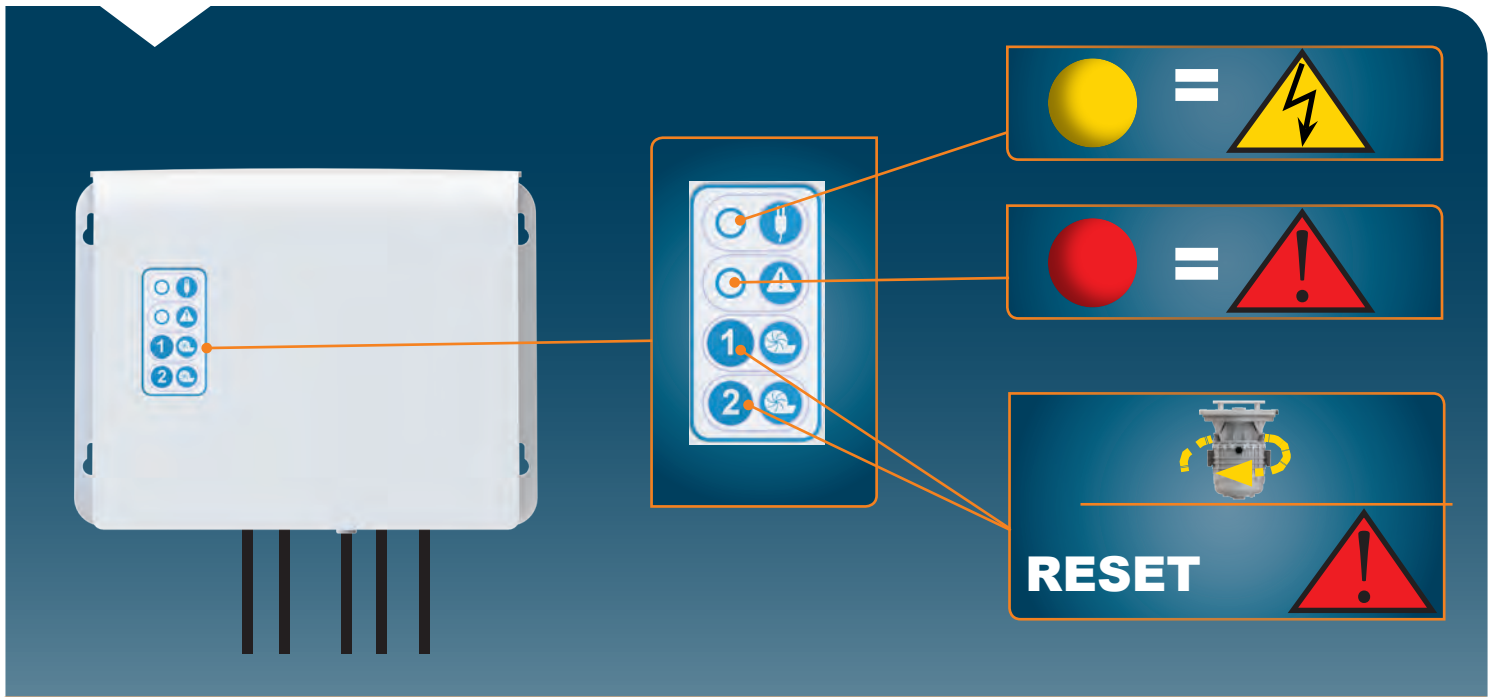


12

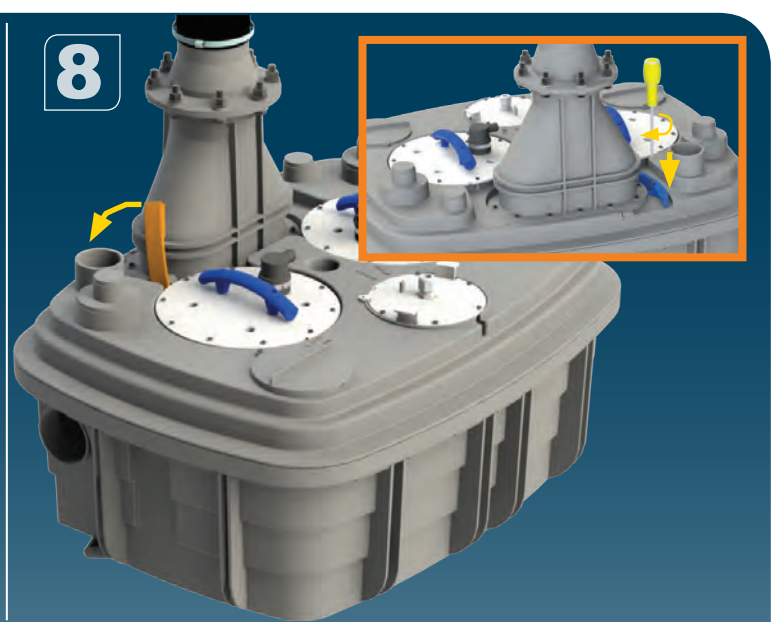
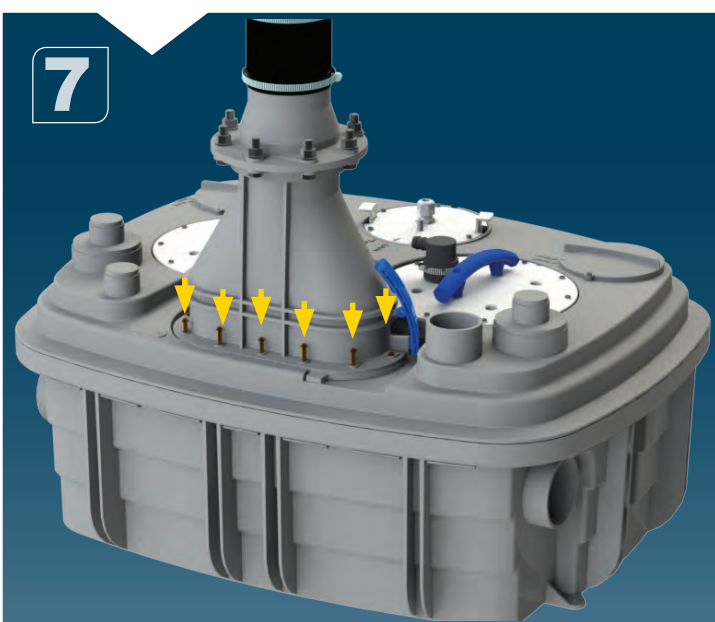
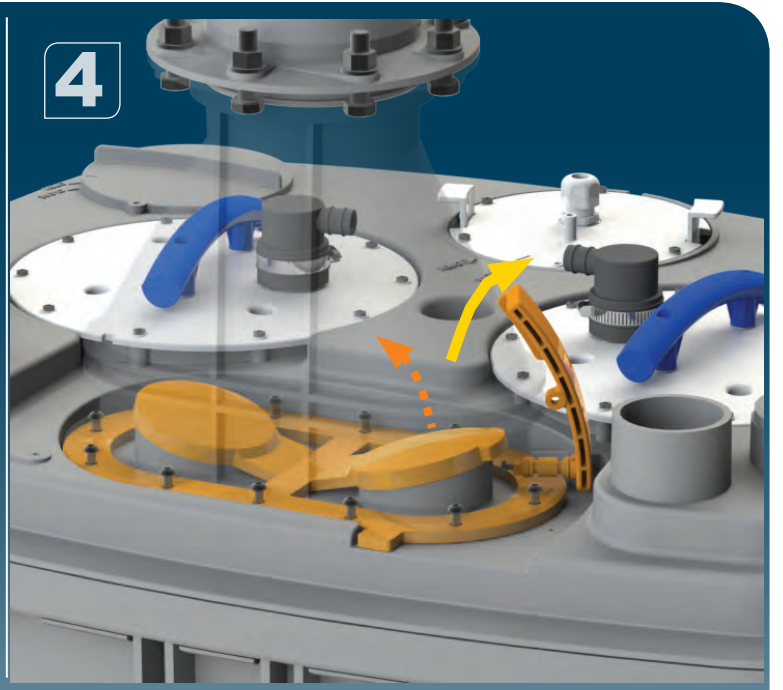
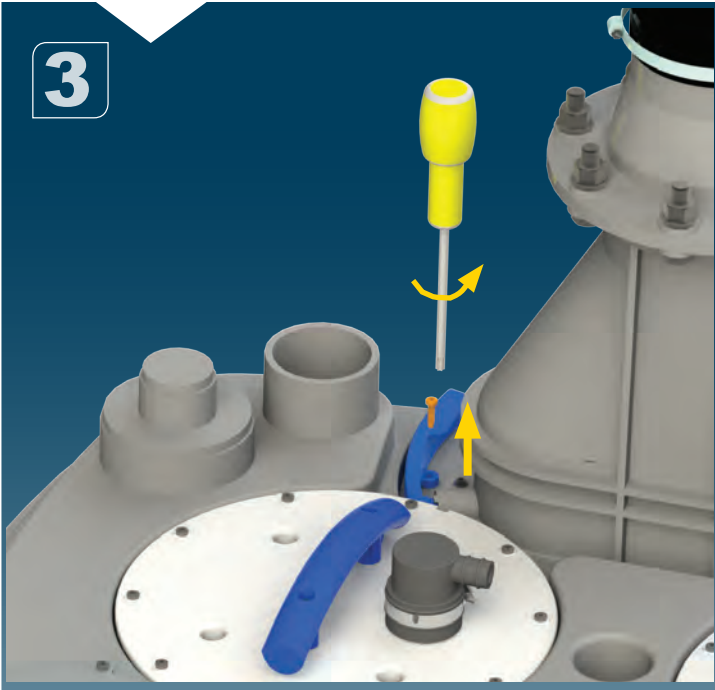


13









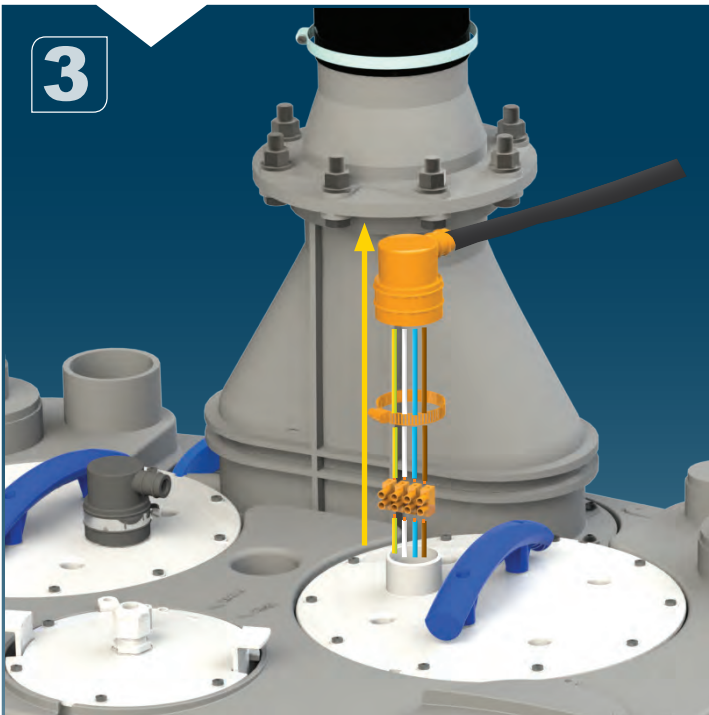
1



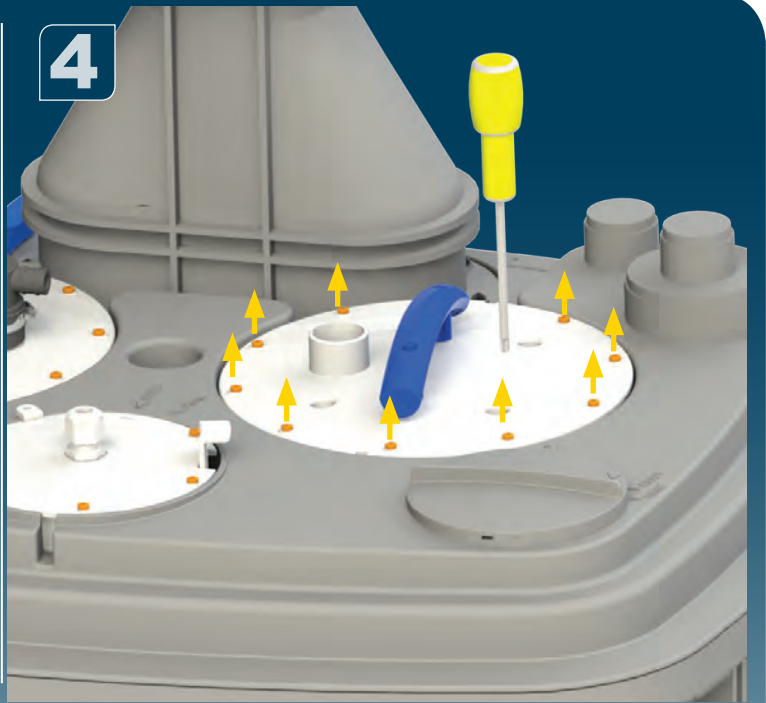
2



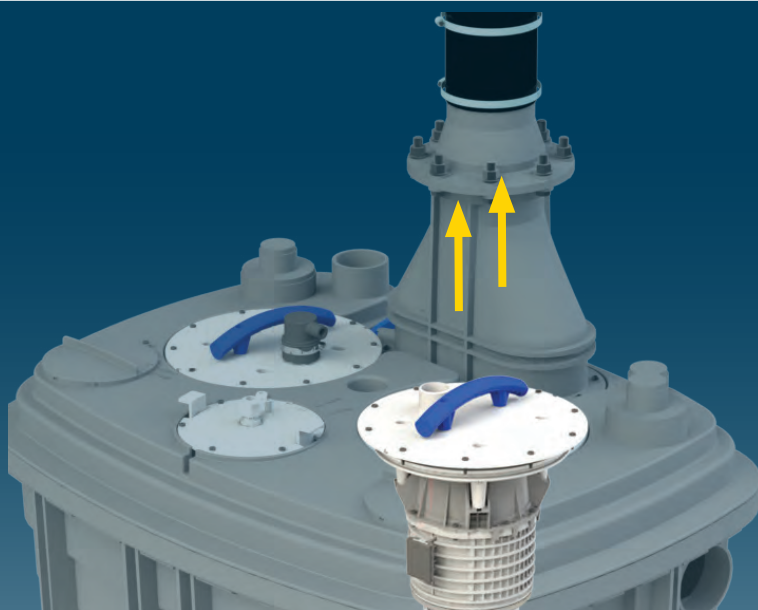
3



4



5





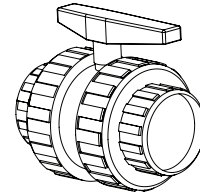
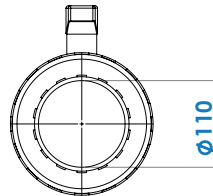
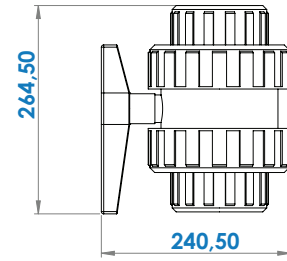
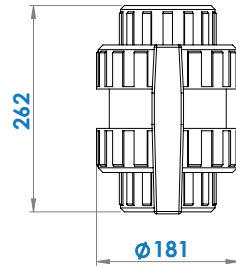
# ACCESSORIES OPTION

1



**DN 100**

For discharge pipe

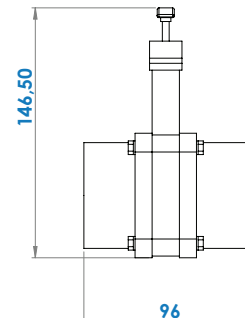
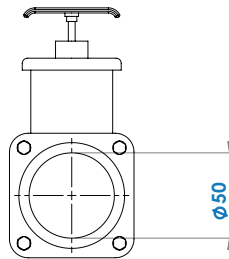
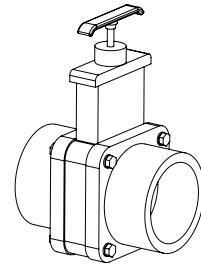
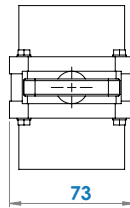


2



**DN 50**

For DN 50 inlet

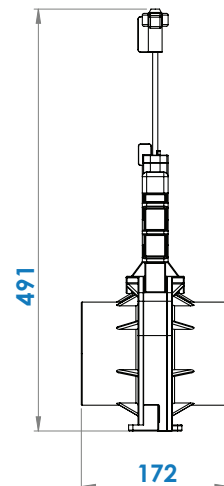
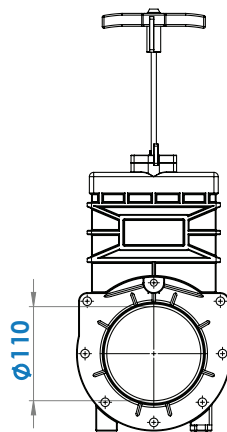


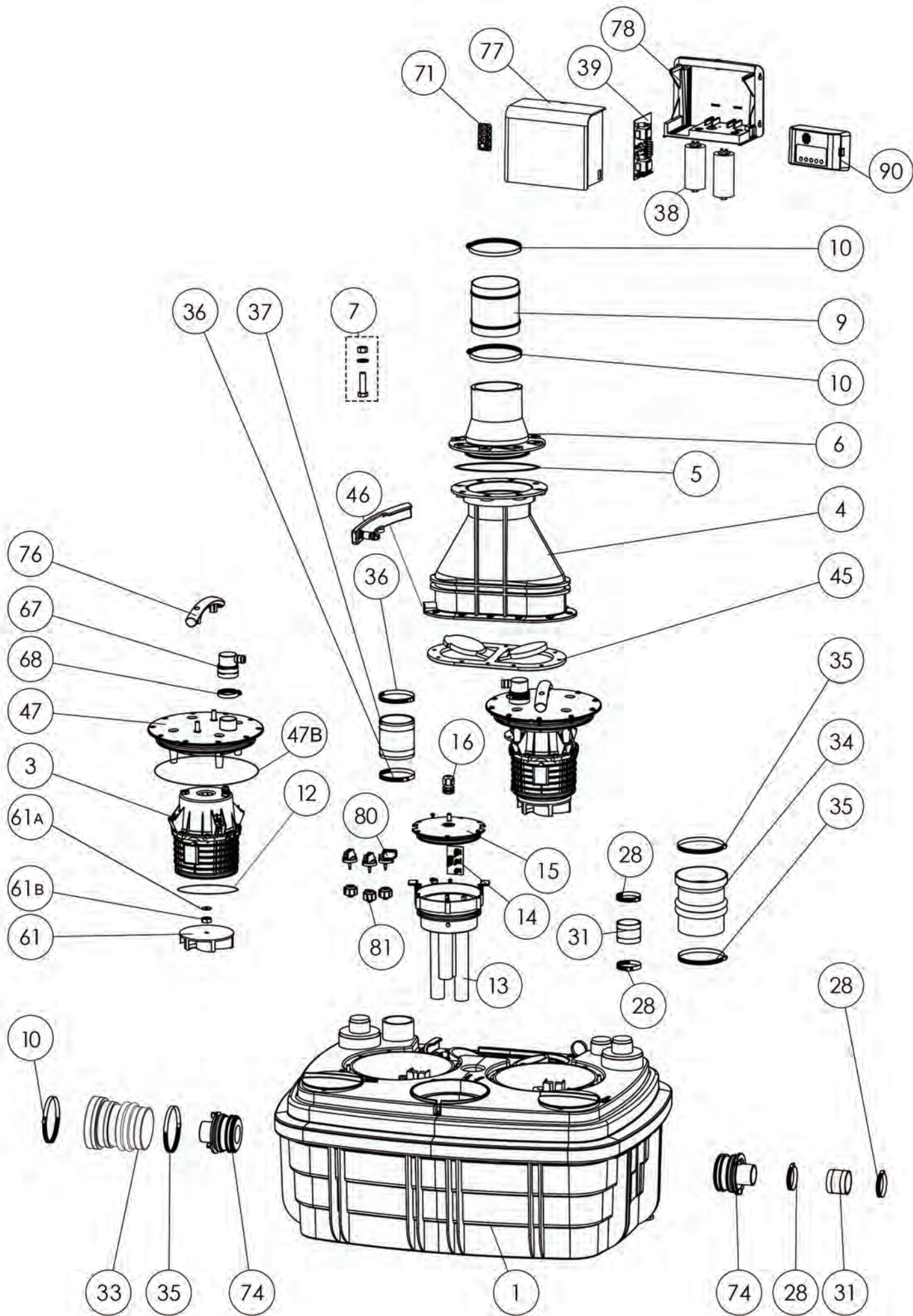
3

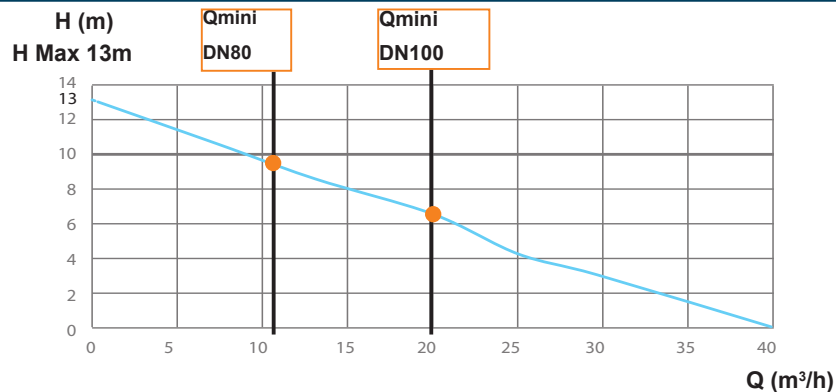


**DN 100**

For DN 100 inlet

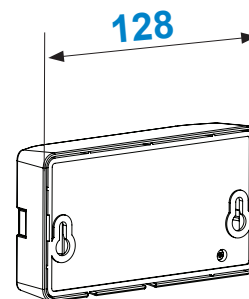
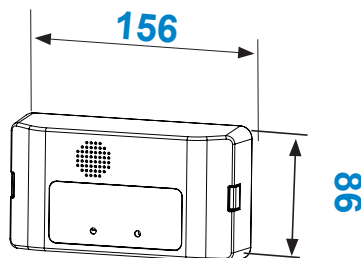
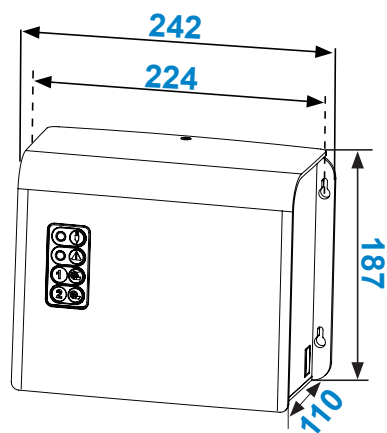




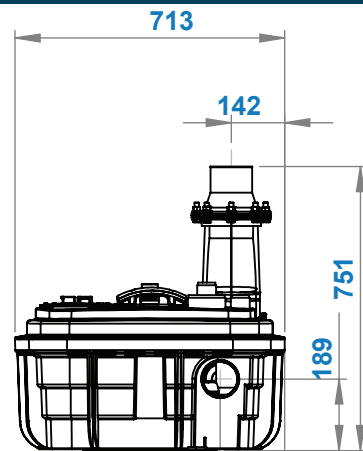
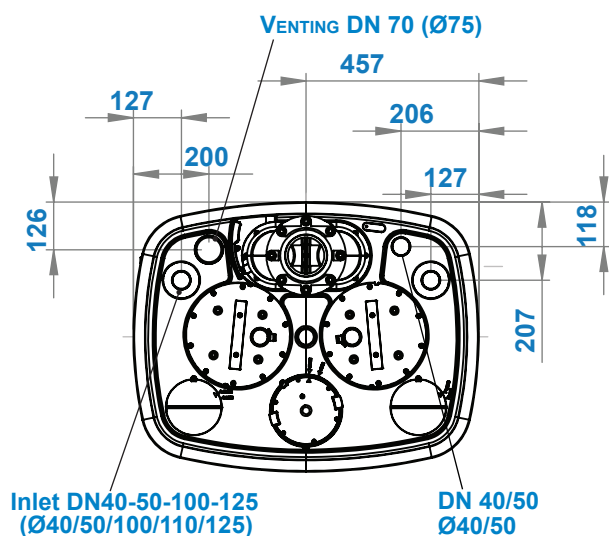


## SANICUBIC 2 XL EN 12050-1

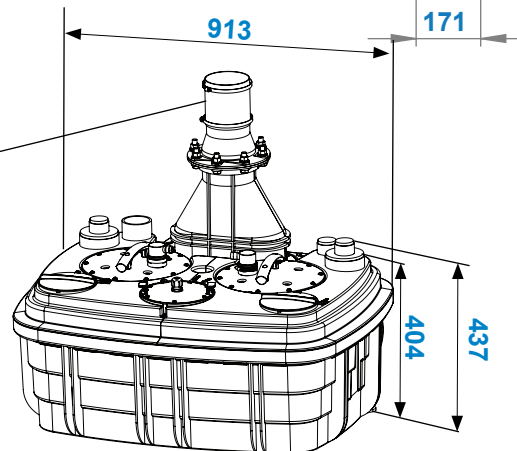
Data specifications	
Type of current	1 phase
Voltage	220-240V
Frequency	50 Hz
Motor rating (for one motor)	2 kW
Current (for one motor)	8A
Cable (4m) station - control	H07RN-F-4 G 1,5
Cable (2,5m) control box - plu	H05VV-F-3 G 1,5
Plug	safety
Protection	Station : IP68 , control box IPX4
max. discharge height	13 m
max. flow rate	40 m3/h
max temperature	35°C (70°C , 5min)
Free passage	50mm
Tank volume	120l
useful volume	26 l
ON / OFF level activation	80mm / 110 mm
ON alarm activation	250mm
Weight including accessories	88 kg
Discharge	DN100 (Ø110mm)
Inlet	DN 125 - 100 - 50 - 40 (Ø125,110,100,50,40mm)
Ventilation	DN 70 (Ø75mm)







DISCHARGE PIPE CONNECTION DN 100



#### FRANCE

**SOCIÉTÉ FRANÇAISE D'ASSAINISSEMENT**  
41 bis avenue Bosquet - 75007 Paris  
Tél. +33 1 44 82 39 00  
Fax +33 1 44 82 39 01

#### UNITED KINGDOM

**SANIFLO Ltd.,**  
Howard House, The Runway  
South Ruislip Middx.,  
HA4 6 SE  
Tel. +44 208 842 0033  
Fax +44 208 842 1671

#### IRELAND

**SANIRISH Ltd**  
IDA Industrial Estate  
Edenderry - County Offaly  
Tel. + 353 46 9733 102  
Fax + 353 46 97 33 093

#### AUSTRALIA

**SANIFLO (Australasia) Pty Ltd**  
Unit 9/10, 25 Gibbes Street  
Chatswood NSW 2067  
Tel. +61 298 826 200  
Fax +61 298 826 950

#### DEUTSCHLAND

**SFA SANIBROY GmbH**  
Waldstr. 23 Geb. B5 - 63128  
Dietzenbach  
Tel. (060 74) 30928-0  
Fax (060 74) 30928-90

#### ITALIA

**SFA ITALIA spa**  
Via del Benessere, 9  
27010 Sizzano (PV)  
Tel. 03 82 61 81  
Fax 03 82 61 8200

#### ESPAÑA

**SFA S.L.**  
C/ Vinalets, 1 - Pl. Can Vinalets  
08130 Sta. - Perpètua de Mogoda -  
Barcelona  
Tel. +34 93 544 60 76  
Fax +34 93 462 18 96

#### PORTUGAL

**SFA, Lda.**  
Sintra Business Park, ed.01-19\*2710-089  
SINTRA  
Tel. +35 21 911 27 85  
Fax +35 21 957 70 00

#### РОССИЯ

**SFA РОССИЯ**  
101000 Москва - Колпачный переулок 9а  
Тел. (495) 258 29 51  
Факс. (495) 258 29 51

#### SUISSE SCHWEIZ SVIZZERA

**SFA SANIBROY AG**  
Vorstadt 4  
3380 Wangen a. A.  
Tel. + 41 (0)32 631 04 74  
Fax + 41 (0)32 631 04 75

#### BENELUX

**SFA BENELUX B.V.**  
Voltaweg 4  
6101 XK Echt (NL)  
Tel. +31 475 487100  
Fax +31 475 486515

#### SVERIGE

**SANIFLO AB**  
BOX 797  
S-191 27 Sollentuna  
Tel. +46 (0)8-404 15 30  
info@saniflo.se

#### POLSKA

**SFA POLAND Sp. z o.o.**  
ul. Kolejowa 33  
05-092 Łomianki/Warszawa  
Tel. (+4822) 732 00 32  
Fax (+4822) 751 35 16

#### ČESKÁ REPUBLIKA

**SFA-SANIBROY, spol. s r.o**  
Na Košince č.ev. 681- 180 00 PRAHA8 -  
Libeň  
Tel. +420 266 712 855  
Fax, +420 266 712 856

#### ROMANIA

**SFA SANIFLO S.R.L.**  
Strada Leonard Nicolae, nr. 2A  
Timișoara 300454  
Tel. +40 256 245 092  
Fax +40 256 245 029

#### TÜRKIYE

**SFA SANIHYDRO LTD STI**  
Mecidiye Cad No:36-B Sevencan APT  
34394 MECIDIYEKÖY - ISTANBUL  
Tel. +90 212 275 30 88  
Fax, +90 212 275 90 58

#### CHINA

**SFA 中国**  
上海市静安区石门二路333弄3号振安  
广场恒安大厦27C室 (200041)  
T:+86(0)21 6218 8969  
F:+86(0)21 6218 8970

#### KOREA

**www.SFA.biz**  
sales@saniflo-korea.kr

#### South Africa

**SFA Africa**  
www.saniflo.co.za

#### BRAZIL

**SANITRIT**  
Rua Manuel da Nobrega 354Paraiso  
CEP 04001-001SAO PAULO / SP  
Tel. + 55 11 3262 2903  
www.sanitrit.com.br

### SERVICE HELPLINES

	TEL	FAX
France	N°Azur 0 810 05 90 02 1 UT par appel	03 44 94 46 19
United Kingdom	08457 650011 (Call from a land line)	020 8842 1671
Ireland	1850 23 24 25 (LOW CALL)	+ 353 46 97 33 093
Australia	+1300 554 779	+61.2.9882.6950
Deutschland	0800 82 27 82 0	(060 74) 30928-90
Italia	0382 6181	+39 0382 618200
España	+34 93 544 60 76	+34 93 462 18 96
Portugal	+35 21 911 27 85	+35 21 957 70 00
Suisse Schweiz Svizzera	+41 (0)32 631 04 74	+41 (0)32 631 04 75

Benelux	+31 475 487100	+31 475 486515
Sverige	+46 (0)8-404 15 30	
Norge	+46 (0)8-404 15 30	
Polaska	(+4822) 732 00 33	(+4822) 751 35 16
РОССИЯ	(495) 258 29 51	(495) 258 29 51
Česká Republika	+420 266 712 855	+420 266 712 856
România	+40 256 245 092	+40 256 245 029
Türkiye	+90 212 275 30 88	+90 212 275 90 58
中国	+86(0)21 6218 8969	+86(0)21 6218 8970
Brazil	+55 11 3262 2903	

Service information : [www.sfa.biz](http://www.sfa.biz)